



# TX1117C

## 1A Bipolar Linear Regulator

### Features

- Maximum output current is 1A
- Range of operation input voltage: Max 15V
- Line regulation: 0.03%/V (typ.)
- Standby current: 2mA (typ.)
- Load regulation: 0.2%/A (typ.)
- Environment Temperature: -40°C~125°C

### Applications

- Power Management for Computer Mother Board, Graphic Card
- LCD Monitor and LCD TV
- DVD Decode Board
- ADSL Modem
- Post Regulators for Switching Supplies

### General Description

TX1117C is a series of low dropout three-terminal regulators with a dropout of 1.3V at 1A load current. TX1117C features a very low standby current 2mA compared to 5mA of competitor.

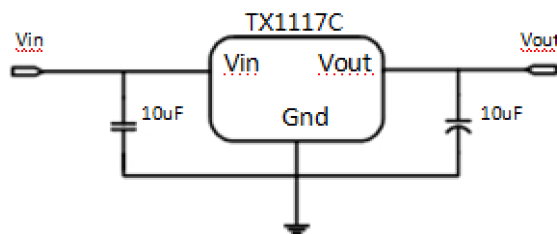
Other than a fixed version,  $V_{out} = 1.2V, 1.8V, 2.5V, 2.85V, 3.3V,$  and 5V, TX1117C has an adjustable version, which can provide an output voltage from 1.25 to 12V with only

two external resistors.

TX1117C offers thermal shut down function, to assure the stability of chip and power system. And it uses trimming technique to guarantee output voltage accuracy within 2%. Other output voltage accuracy can be customized on demand, such as 1%.

TX1117C is available in SOT-223, TO-252 packages.

### Typical Application



Application circuit of TX1117C fixed version

### Selection Table

Part No.	Symbol.	Output Voltage	Package	Marking
TX1117C	XX=12	1.2V	SOT-223 TO-252	1117C XX SSWW
	XX=18	1.8V		
	XX=25	2.5V		
	XX=33	3.3V		
	XX=50	5.0V		
	XX=ADJ	Adj		

Note: 1. "XX" stands for output voltage,  
2. "SSWW" stands for order number and Data Code.



<http://www.txsemi.com>

# TX1117C

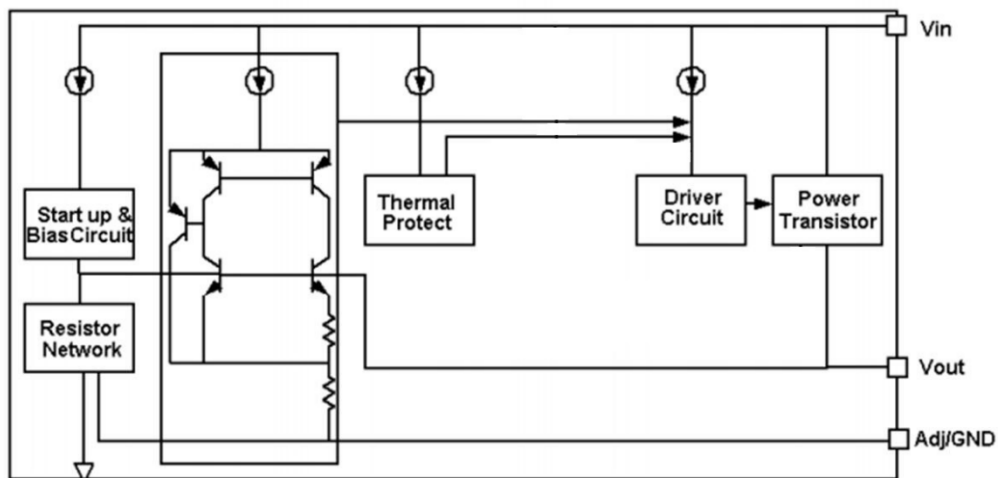
## 1A Bipolar Linear Regulator

### Ordering Information

Part No.	Package Type	Packing type
TX1117C-XXV	SOT223	2500 Tape&Reel
TX1117C-XXTR	TO252	2500 Tape&Reel

Note: "XX" stands for output voltages.

### Block Diagram



### Pin Configuration

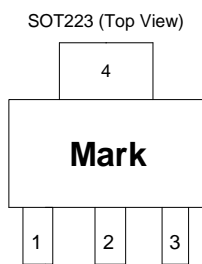


Table1: TX1117C series (SOT223 PKG)

PIN NO.	PIN NAME	FUNCTION
1	VSS/ADJ	VSS/ADJ pin
2	VOUT	Output voltage pin
3	VIN	Input voltage pin
4	VOUT	Output voltage pin

Table2: TX1117C-XXTR series (TO252 PKG)

PIN NO.	PIN NAME	FUNCTION
1	VSS/ADJ	VSS/ADJ pin
2	VOUT	Output voltage pin
3	VIN	Input voltage pin



### Absolute Maximum Ratings

Max Input Voltage .....18V  
 Max Operating Junction Temperature(Tj) .....150°C  
 Storage Temperature(Ts).....-55°C~150°C  
 Lead Temperature & Time.....260°C 10S  
 Caution: Exceed these limits to damage to the device. Exposure to absolute maximum rating conditions may affect device reliability.

### Electrical Characteristics

T<sub>A</sub>=25°C, unless otherwise noted.

Symbol	Parameter	Conditions	Min	Typ	Max	Unit
V <sub>ref</sub>	Reference voltage	TX1117C-Adj 10mA ≤ I <sub>out</sub> ≤ 1A, V <sub>in</sub> =3.25V	1.225	1.25	1.275	V
V <sub>out</sub>	Output voltage	TX1117C-1.2V 0 ≤ I <sub>out</sub> ≤ 1A, V <sub>in</sub> =3.2V	1.176	1.2	1.224	V
		TX1117C-1.8V 0 ≤ I <sub>out</sub> ≤ 1A, V <sub>in</sub> =3.8V	1.764	1.8	1.836	V
		TX1117C-2.5V 0 ≤ I <sub>out</sub> ≤ 1A, V <sub>in</sub> =4.5V	2.45	2.5	2.55	V
		TX1117C-3.3V 0 ≤ I <sub>out</sub> ≤ 1A, V <sub>in</sub> =5.3V	3.234	3.3	3.366	V
		TX1117C-5.0V 0 ≤ I <sub>out</sub> ≤ 1A, V <sub>in</sub> =7.0V	4.9	5.0	5.1	V

ΔV <sub>out</sub>	Line regulation	TX1117C-1.2V I <sub>out</sub> =10mA, 2.7V ≤ V <sub>in</sub> ≤ 10V		4	20	mV
		TX1117C-ADJ I <sub>out</sub> =10mA, 2.75V ≤ V <sub>in</sub> ≤ 12V		5	30	mV
		TX1117C-1.8V I <sub>out</sub> =10mA, 3.3V ≤ V <sub>in</sub> ≤ 12V		5	40	mV
		TX1117C-2.5V I <sub>out</sub> =10mA, 4.0V ≤ V <sub>in</sub> ≤ 12V		8	50	mV
		TX1117C-3.3V I <sub>out</sub> =10mA, 4.8V ≤ V <sub>in</sub> ≤ 12V		9	60	mV
		TX1117C-5.0V I <sub>out</sub> =10mA, 6.5V ≤ V <sub>in</sub> ≤ 12V		10	70	mV

		TX1117C-1.2V		2	24	mV
--	--	--------------	--	---	----	----



<http://www.txsemi.com>

# TX1117C

## 1A Bipolar Linear Regulator

$\Delta V_{out}$	Load regulation	$V_{in} = 2.7V, 10mA \leq I_{out} \leq 1A$ TX1117C-ADJ		2	25	mV
		$V_{in} = 2.75V, 10mA \leq I_{out} \leq 1A$ TX1117C-1.8V		3	36	mV
		$V_{in} = 3.3V, 10mA \leq I_{out} \leq 1A$ TX1117C-2.5V		4	50	mV
		$V_{in} = 4.0V, 10mA \leq I_{out} \leq 1A$ TX1117C-3.3		6	66	mV
		$V_{in} = 4.8V, 10mA \leq I_{out} \leq 1A$ TX1117C-5.0		9	100	mV
		$V_{in} = 6.5V, 10mA \leq I_{out} \leq 1A$				
		Vdrop	Dropout voltage	$I_{out} = 100mA$		1.1
$I_{out} = 1A$				1.2	1.3	V
Imin	Minimum load current	TX1117C-ADJ		2	10	mA
Iq	Quiescent Current	TX1117C-1.2V, $V_{in} = 10V$		2	5	mA
		TX1117C-1.8V, $V_{in} = 12V$		2	5	mA
		TX1117C-2.5V, $V_{in} = 12V$		2	5	mA
		TX1117C-3.3V, $V_{in} = 12V$		2	5	mA
		TX1117C-5.0V, $V_{in} = 12V$		2	5	mA
IAdj	Adjust pin current	TX1117C-ADJ $V_{in} = 5V, 10mA \leq I_{out} \leq 1A$		55	120	$\mu A$
Ichange	Iadj change	TX1117C-ADJ $V_{in} = 5V, 10mA \leq I_{out} \leq 1A$		0.2	10	$\mu A$
$\Delta V / \Delta T$	Temperature coefficient			$\pm 100$		ppm
$\theta_{JC}$	Thermal resistance	SOT-223		20		$^{\circ}C/W$
		TO-252		10		

Note1: All test are conducted under ambient temperature  $25^{\circ} C$  and within a short period of time 20ms

Note2: Load current smaller than minimum load current of TX1117C-ADJ will lead to unstable or oscillation output.



### Detailed Description

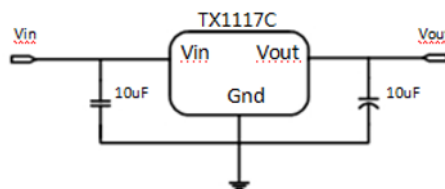
TX1117C is a series of low dropout voltage, three terminal regulators. Its application circuit is very simple: the fixed version only needs two capacitors and the adjustable version only needs two resistors and two capacitors to work. It is composed of some modules including start-up circuit, bias circuit, bandgap, thermal shutdown, power transistors and its driver circuit and so on.

The bandgap module provides stable reference voltage, whose temperature coefficient is compensated by careful design considerations. The temperature coefficient is under 100 ppm/°C. And the accuracy of output voltage is guaranteed by trimming technique.

### Typical Application

TX1117C has an adjustable version and six fixed versions (1.2V, 1.8V, 2.5V, 3.3V and 5V)

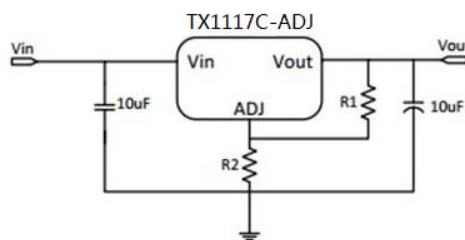
#### Fixed Output Voltage Version



Application circuit of TX1117C fixed version

- 1) Recommend using 10uF tan capacitor as bypass capacitor (C1) for all application circuit.
- 2) Recommend using 10uF tan capacitor to assure circuit stability.

#### Adjustable Output Voltage Version



Application Circuit of TX1117C-ADJ

The output voltage of adjustable version follows the equation:  $V_{out} = 1.25 \times (1 + R_2/R_1) + I_{Adj} \times R_2$ . We can ignore  $I_{Adj}$  because  $I_{Adj}$  (about 50uA) is much less than the current of  $R_1$  (about 2~10mA).

1) To meet the minimum load current (>10mA) requirement,  $R_1$  is recommended to be 125ohm or lower. As TX1117C-ADJ can keep itself stable at load current about 2mA,  $R_1$  is not allowed to be higher than 625ohm.

2) Using a bypass capacitor ( $C_{ADJ}$ ) between the ADJ pin and ground can improve ripple rejection. This bypass capacitor prevents ripple from being amplified as the output voltage is increased. The impedance of  $C_{ADJ}$  should be less than  $R_1$  to prevent ripple from being amplified. As  $R_1$  is normally in the range of 100Ω~500Ω, the value of  $C_{ADJ}$  should satisfy this equation:  $1/(2\pi \times f_{ripple} \times C_{ADJ}) < R_1$ .



# TX1117C

## 1A Bipolar Linear Regulator

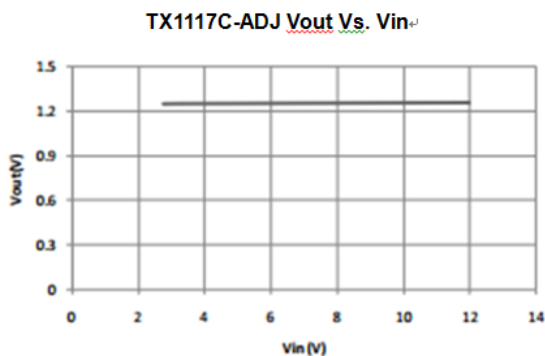
### Thermal Considerations

We have to take heat dissipation into great consideration when output current or differential voltage of input and output voltage is large. Because in such cases, the power dissipation consumed by TX1117C is very large. TX1117C series uses SOT-223 package type and its thermal resistance is about 20°C/W. And the copper area of application board can affect the total thermal resistance. If copper area is 5cm\*5cm (two sides), the resistance is about 30°C/W. So the total thermal resistance is about 20°C/W + 30°C/W. We can decrease total thermal resistance by increasing copper area in application board. When there is no good heat dissipation copper are in PCB, the total thermal resistance will be as high as 120°C/W, then the power dissipation of TX1117C could allow on itself is less than 1W. And furthermore, TX1117C will work at junction temperature higher than 125°C under such condition and no lifetime is guaranteed.

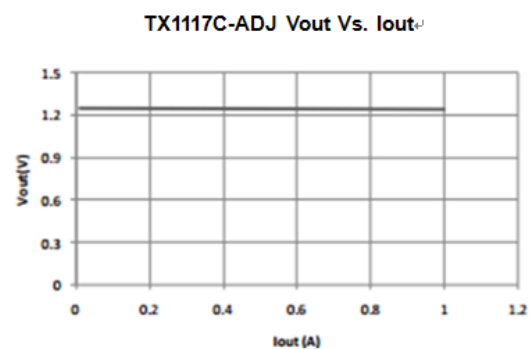
### Typical Performance Characteristics

T<sub>A</sub>=25°C, unless otherwise noted.

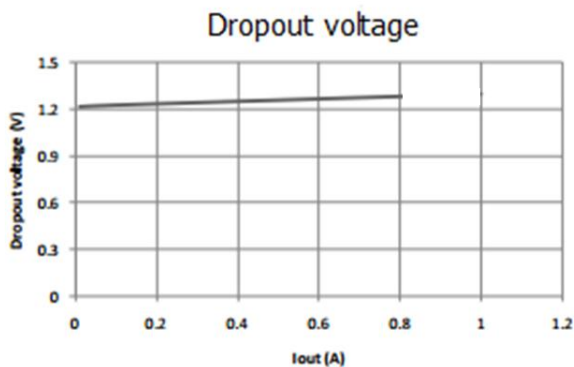
#### Line regulation



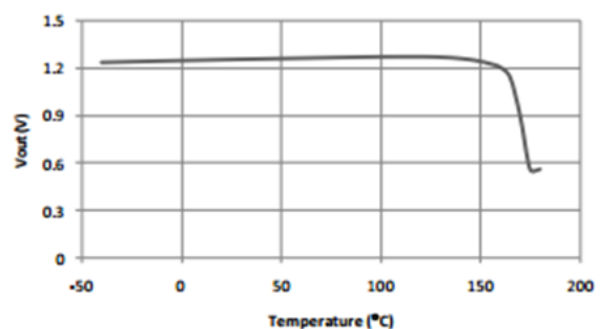
#### Load regulation



#### Dropout voltage



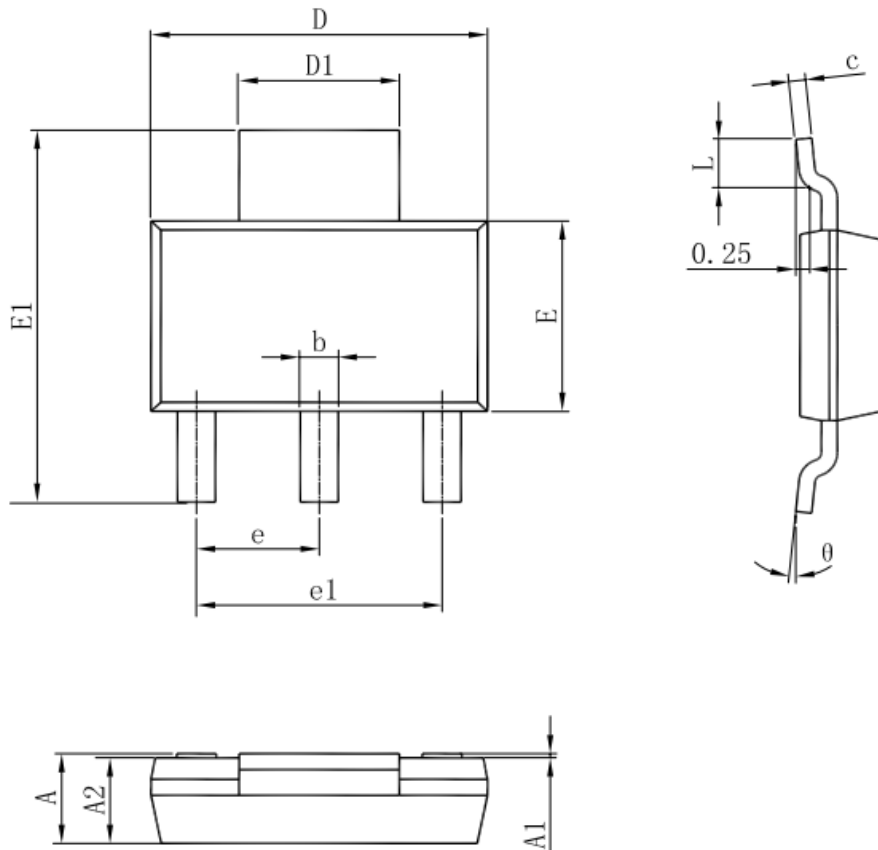
#### Thermal performance with OTP





### Package Information

#### SOT-223 PACKAGE OUTLINE DIMENSIONS



Symbol	Dimensions In Millimeters		Dimensions In Inches	
	Min	Max	Min	Max
A	1.520	1.800	0.060	0.071
A1	0.000	0.100	0.000	0.004
A2	1.500	1.700	0.059	0.067
b	0.660	0.820	0.026	0.032
c	0.250	0.350	0.010	0.014
D	6.200	6.400	0.244	0.252
D1	2.900	3.100	0.114	0.122
E	3.300	3.700	0.130	0.146
E1	6.830	7.070	0.269	0.278
e	2.300(BSC)		0.091(BSC)	
e1	4.500	4.700	0.177	0.185
L	0.900	1.150	0.035	0.045
θ	0°	10°	0°	10°

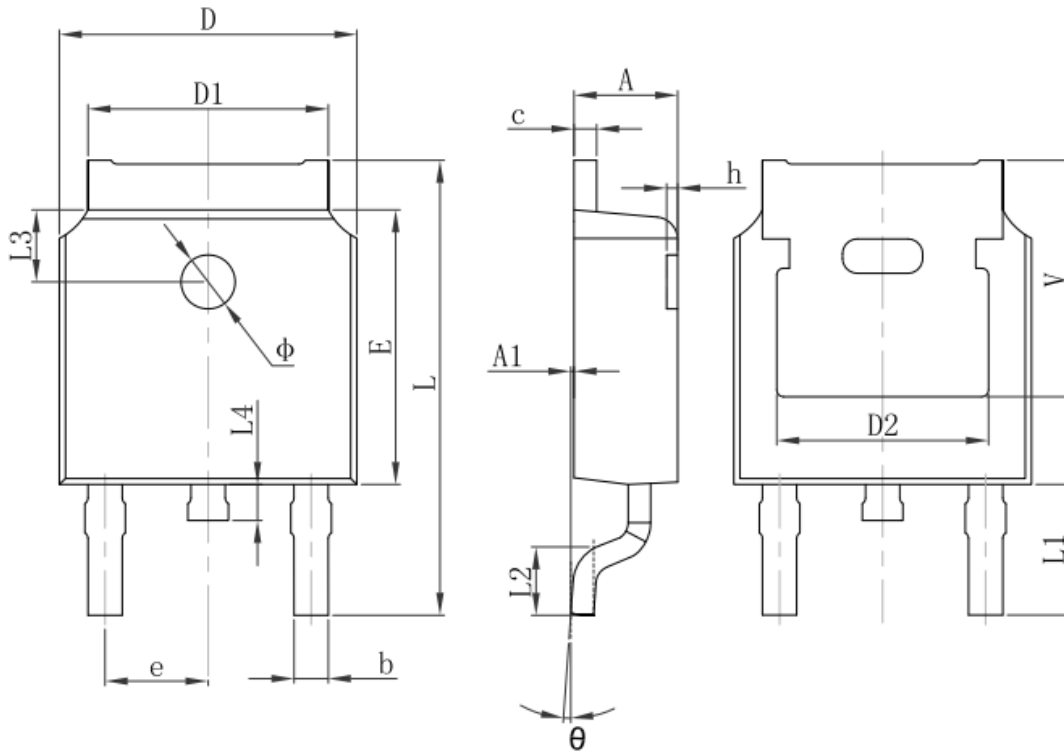


<http://www.txsemi.com>

# TX1117C

## 1A Bipolar Linear Regulator

### TO-252-2L PACKAGE OUTLINE DIMENSIONS



Symbol	Dimensions In Millimeters		Dimensions In Inches	
	Min.	Max.	Min.	Max.
A	2.200	2.400	0.087	0.094
A1	0.000	0.127	0.000	0.005
b	0.660	0.860	0.026	0.034
c	0.460	0.580	0.018	0.023
D	6.500	6.700	0.256	0.264
D1	5.100	5.460	0.201	0.215
D2	4.830 REF.		0.190 REF.	
E	6.000	6.200	0.236	0.244
e	2.186	2.386	0.086	0.094
L	9.800	10.400	0.386	0.409
L1	2.900 REF.		0.114 REF.	
L2	1.400	1.700	0.055	0.067
L3	1.600 REF.		0.063 REF.	
L4	0.600	1.000	0.024	0.039
φ	1.100	1.300	0.043	0.051
θ	0°	8°	0°	8°
h	0.000	0.300	0.000	0.012
V	5.350 REF.		0.211 REF.	





<http://www.txsemi.com>

# ***TX1117C*** **1A Bipolar Linear Regulator**

---

© Shanghai TX Electronics Sci-Tech Co., Ltd

TX cannot assume responsibility for use of any circuitry other than circuitry entirely embodied in a TX product. No circuit patent license, copyrights or other intellectual property rights are implied. TX reserves the right to make changes to their products or specifications without notice. Customers are advised to obtain the latest version of relevant information to verify, before placing orders, that information being relied on is current and complete.