



# TX317

## 1.5A Bipolar Linear Regulator

### Features

- Output current greater than 1.5A
- Range Output voltage range adjustable from 1.25V to 37V

### Applications

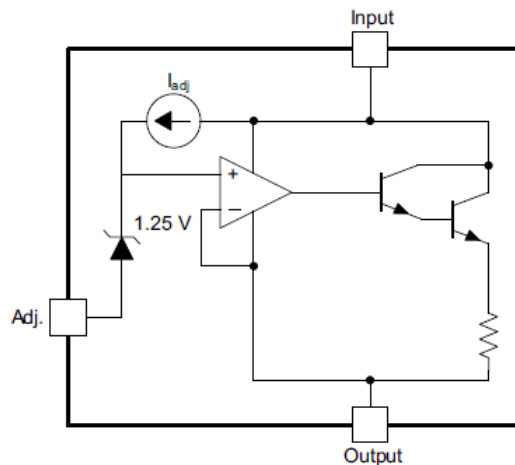
- Power Management for Computer Mother Board, Graphic Card
- LCD Monitor and LCD TV
- DVD Decode Board
- ADSL Modem
- Post Regulators for Switching Supplies

### General Description

The TX317 device is an adjustable three-terminal positive-voltage regulator capable of supplying more than 1.5A over an output-voltage range of 1.25V to 37V. TX317 features a very low standby current 1.5mA .

TX317 is available in SOT89-3, TO220 and SOT223 package.

### Block Diagram





### Pin Configuration

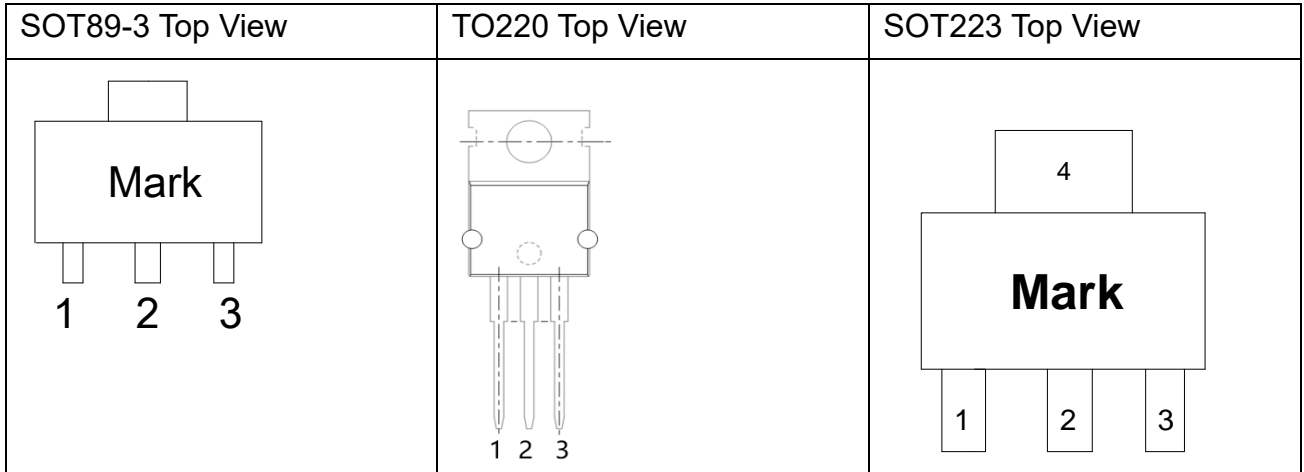


Table1: TX317 series (SOT89-3 PKG)

PIN NO.	PIN NAME	FUNCTION
1	ADJ	ADJ pin
2	VOUT	Output voltage pin
3	VIN	Input voltage pin

Table2: TX317 series (TO220 PKG)

PIN NO.	PIN NAME	FUNCTION
1	ADJ	ADJ pin
2	VOUT	Output voltage pin
3	VIN	Input voltage pin

Table3: TX317 series (SOT223 PKG)

PIN NO.	PIN NAME	FUNCTION
1	ADJ	ADJ pin
2	VOUT	Output voltage pin
3	VIN	Input voltage pin
4	VOUT	Output voltage pin



# TX317

## 1.5A Bipolar Linear Regulator

### Absolute Maximum Ratings

Max Input Voltage .....40V  
 Max Operating Junction Temperature(Tj) ..... 150°C  
 Ambient Temperature(Ta)..... -20°C~ 85°C  
 Storage Temperature(Ts)..... -40°C~150°C

Caution: Exceed these limits to damage to the device. Exposure to absolute maximum rating conditions may affect device reliability.

### Thermal Information

Symbol	Parameter	TO220	UNIT
$R_{\theta(JA)}$	Junction-to-ambient thermal resistance	37.9	°C/W
$R_{\theta JC(top)}$	Junction-to-case (top) thermal resistance	51.1	°C/W
$R_{\theta JB}$	Junction-to-board thermal resistance	23.2	°C/W
$\Psi_{JT}$	Junction-to-top characterization parameter	13.0	°C/W
$\Psi_{JB}$	Junction-to-board characterization parameter	22.8	°C/W
$R_{\theta JC(bot)}$	Junction-to-case (bottom) thermal resistance	4.2	°C/W

### Electrical Characteristics

T<sub>A</sub>=25°C, unless otherwise noted.

Parameter	Test Conditions	Min	Typ	Max	Unit
Line regulation	V <sub>I</sub> -V <sub>O</sub> =3V to 40V T <sub>J</sub> =25°C	-5	--	5	mV
Load regulation	I <sub>O</sub> =10mA to 1500mA	-25	--	25	mV
Reference voltage	V <sub>I</sub> - V <sub>O</sub> =3V to 40V, P <sub>D</sub> ≤20W, I <sub>O</sub> =10mA to 1.5A	1.2	1.25	1.3	V
Output-voltage Temperature stability	T <sub>J</sub> = 0°C to 125°C		0.7		%V <sub>O</sub>
Maximum output current	V <sub>I</sub> - V <sub>O</sub> ≤ 15V, T <sub>J</sub> =25°C	--	1.5	--	A

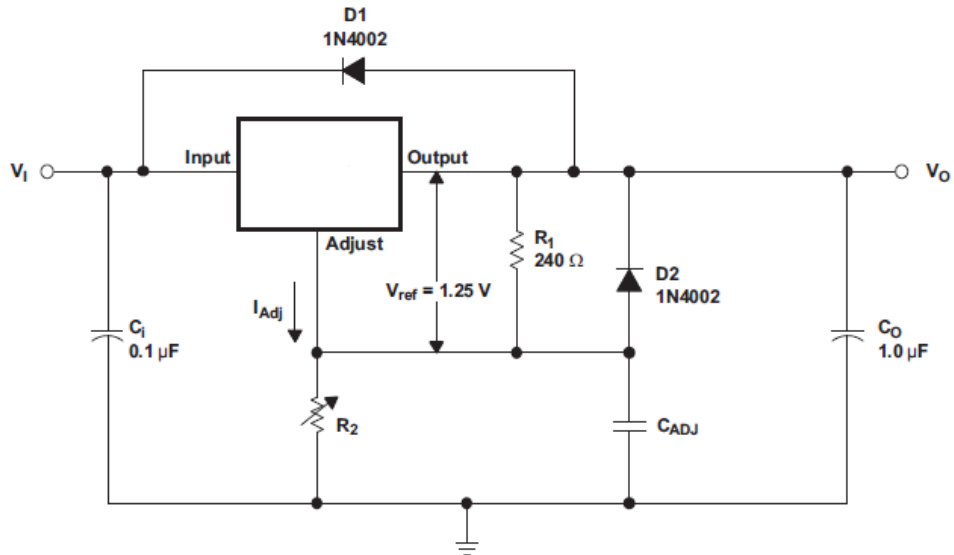
### Detailed Description

TX317 device is an adjustable three-terminal positive-voltage regulator capable of supplying up to 1.5A over an output-voltage range of 1.25V to 37V. It requires only two external resistors to set the output voltage. The device features a typical line regulation of 1mV and typical load regulation of 7 mV.

The TX317 device is versatile in its applications, including uses in programmable output regulation and local on-card regulation. Or, by connecting a fixed resistor between the ADJUST and OUTPUT terminals, the TX317 device can function as a precision current regulator. An optional output capacitor can be added to improve transient response.



### Typical Application



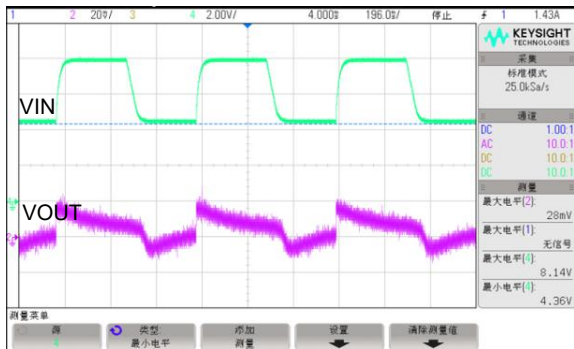
Adjustable Voltage Regulator

1. R1 and R2 are required to set the output voltage.
2. CADJ is recommended to improve ripple rejection. It prevents amplification of the ripple as the output voltage is adjusted higher.
3. C1 is recommended, particularly if the regulator is not in close proximity to the power-supply filter capacitors. A 0.1μF or 1μF ceramic or tantalum capacitor provides sufficient bypassing for most applications, especially when adjustment and output capacitors are used.
4. CO improves transient response, but is not needed for stability.
5. Protection diode D2 is recommended if CADJ is used. The diode provides a low-impedance discharge path to prevent the capacitor from discharging into the output of the regulator.
6. Protection diode D1 is recommended if CO is used. The diode provides a low-impedance discharge path to prevent the capacitor from discharging into the output of the regulator.
7. VO is calculated as shown:  $V_O = V_{REF}(1+R_2/R_1) + (I_{ADJ} \times R_2)$ , IADJ is typically 50μA and negligible in most applications.

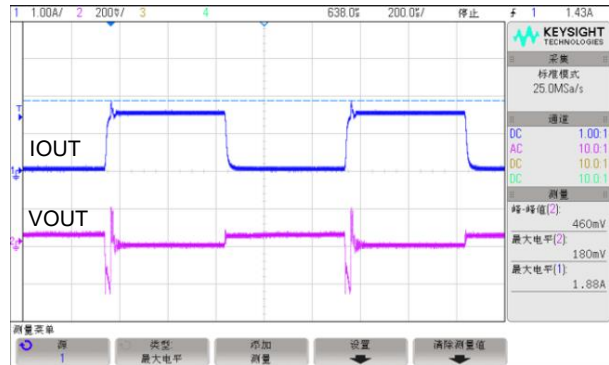


### Typical Performance Characteristics

#### Line Transient Response



#### Load Transient Response





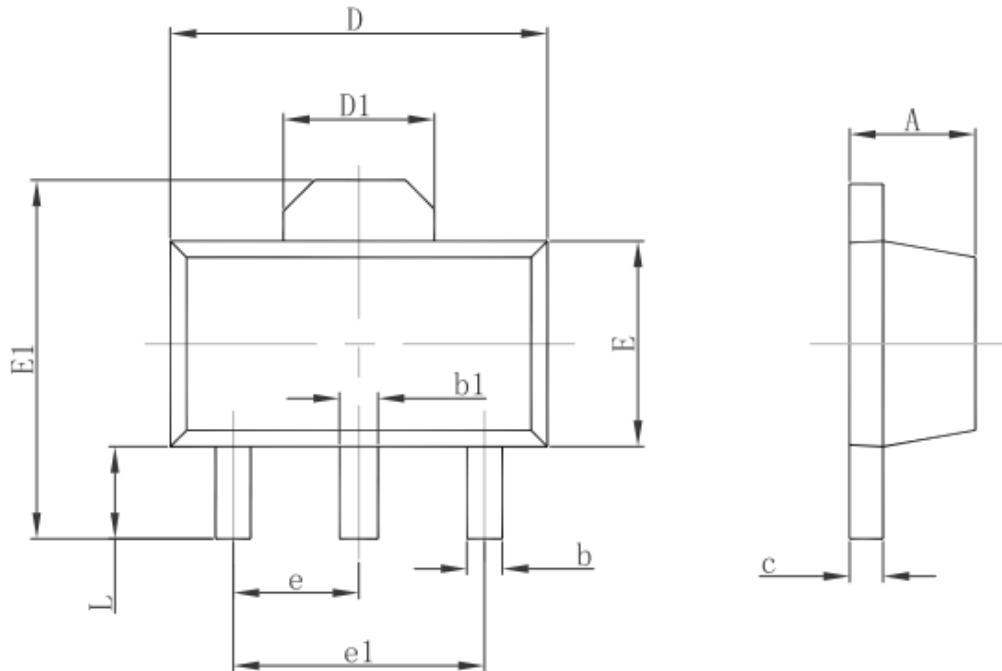
<http://www.txsemi.com>

# TX317

## 1.5A Bipolar Linear Regulator

### Package Information

SOT89 Package



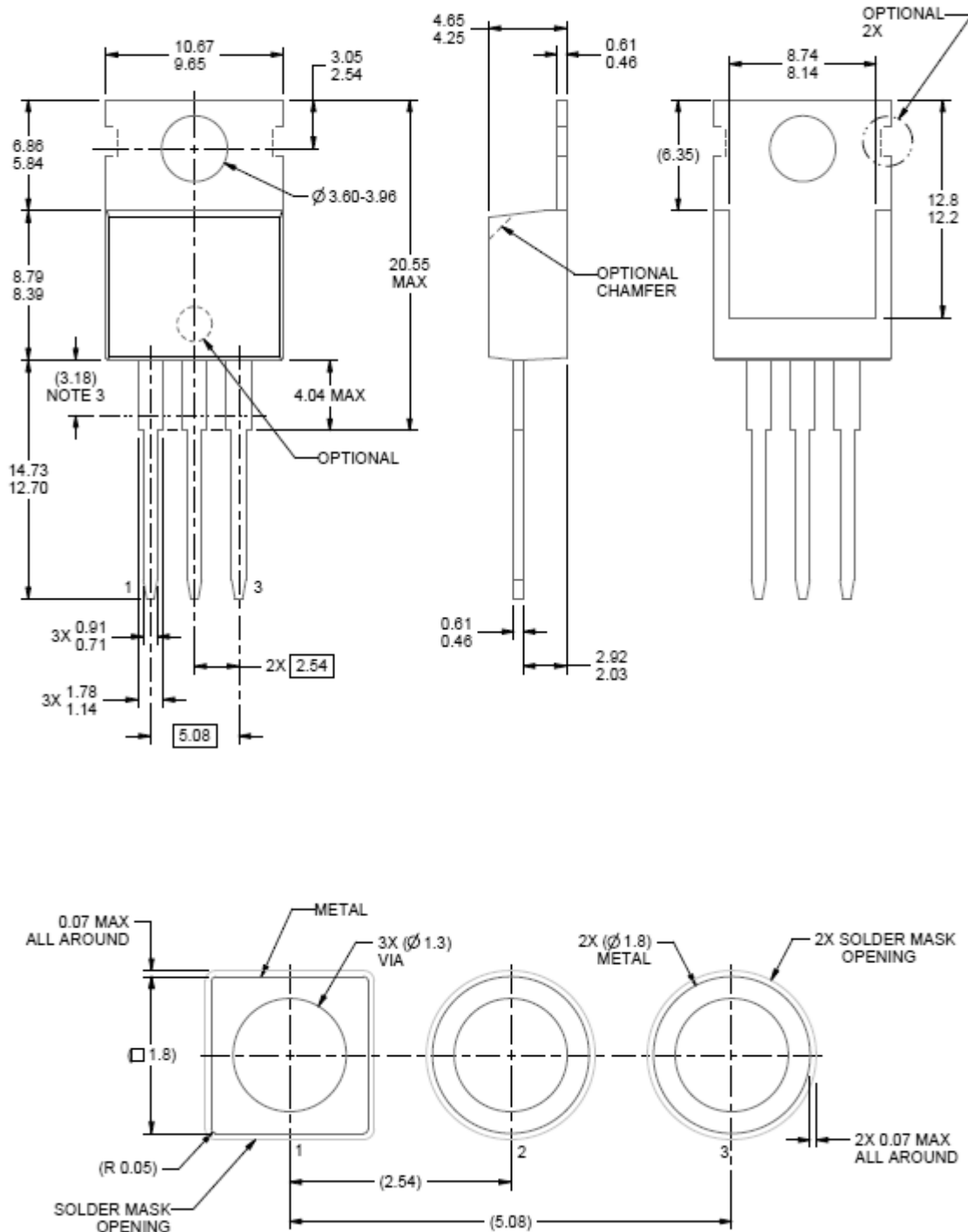
Symbol	Dimensions In Millimeters		Dimensions In Inches	
	Min.	Max.	Min.	Max.
A	1.400	1.600	0.055	0.063
b	0.320	0.520	0.013	0.020
b1	0.400	0.580	0.016	0.023
c	0.350	0.440	0.014	0.017
D	4.400	4.600	0.173	0.181
D1	1.550 REF.		0.061 REF.	
E	2.300	2.600	0.091	0.102
E1	3.940	4.250	0.155	0.167
e	1.500 TYP.		0.060 TYP.	
e1	3.000 TYP.		0.118 TYP.	
L	0.900	1.200	0.035	0.047



# TX317

## 1.5A Bipolar Linear Regulator

### TO220 Package

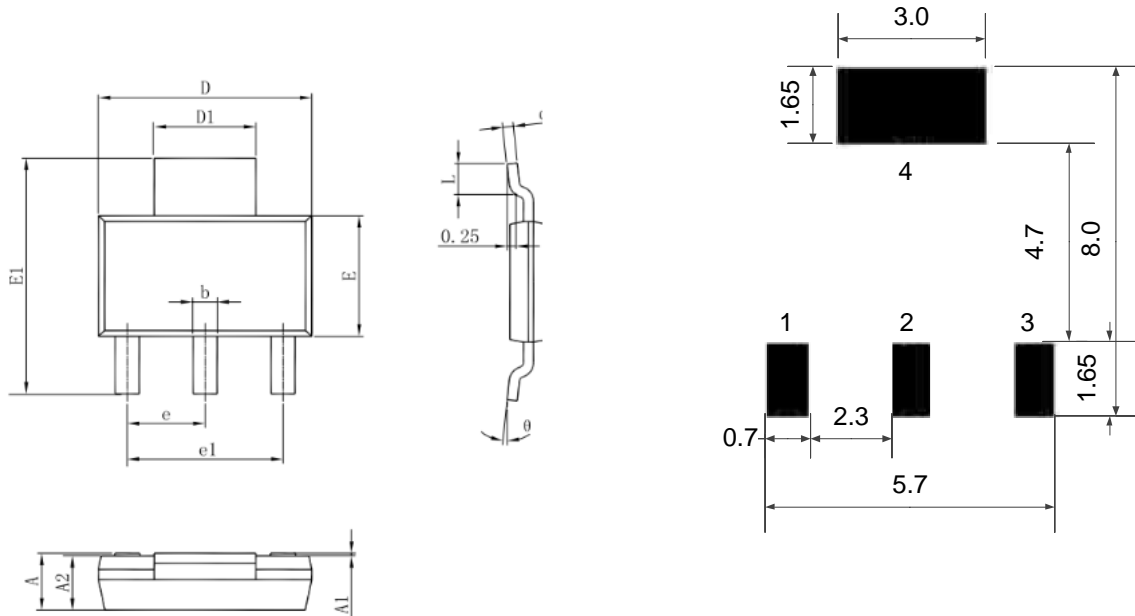




# TX317

## 1.5A Bipolar Linear Regulator

### SOT223 Package



PCB Board

Symbol	Dimensions In Millimeters		Dimensions In Inches	
	Min	Max	Min	Max
A	1.520	1.800	0.060	0.071
A1	0.000	0.100	0.000	0.004
A2	1.500	1.700	0.059	0.067
b	0.660	0.820	0.026	0.032
c	0.250	0.350	0.010	0.014
D	6.200	6.400	0.244	0.252
D1	2.900	3.100	0.114	0.122
E	3.300	3.700	0.130	0.146
E1	6.830	7.070	0.269	0.278
e	2.300(BSC)		0.091(BSC)	
e1	4.500	4.700	0.177	0.185
L	0.900	1.150	0.035	0.045
θ	0°	10°	0°	10°





<http://www.txsemi.com>

# ***TX317***

## **1.5A Bipolar Linear Regulator**

---

© Shanghai TX Electronics Sci-Tech Co., Ltd

TX cannot assume responsibility for use of any circuitry other than circuitry entirely embodied in a TX product. No circuit patent license, copyrights or other intellectual property rights are implied. TX reserves the right to make changes to their products or specifications without notice. Customers are advised to obtain the latest version of relevant information to verify, before placing orders, that information being relied on is current and complete.



<http://www.txsemi.com>

# TX317

## 1.5A Bipolar Linear Regulator

### 修订记录

日期	修订版本	描述	编写人
2022-04-14	V2.2	增加SOT223封装	郭玲博